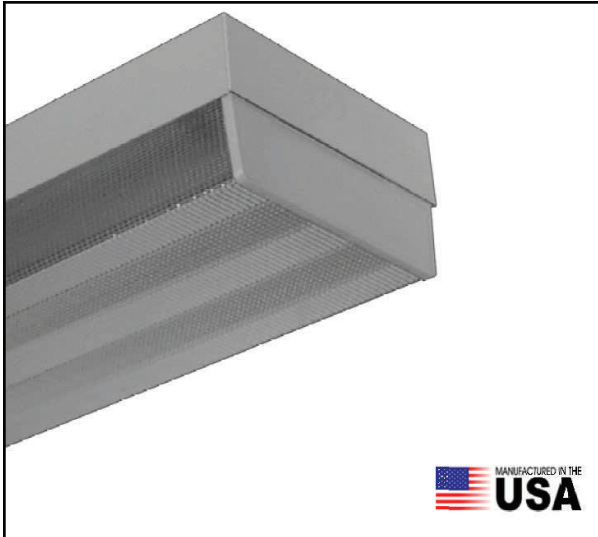


LED WRAP SMALL



FIXTURE TYPE _____

JOB NAME _____

REP **HUDNUT LED LIGHTING**

PART NUMBER _____

SPECIFICATIONS

Full fixture replacement with linear LED lamps*	High 80+ CRI white LEDs*
120—277 volt AC operation	>50,000 hour lamp life to 70% original output*
No external ballasts, drivers, or power supplies = lower maintenance	Lamp is UL listed 120-277VAC*
Standard G13 bi-pin sockets for easy lamp maintenance	Fixture is ETL listed
Lamp powered from one end only to meet UL safety requirements*	and conforms to UL 1958-SUB 8750
Dedicated LED fixture ensures proper operation and maximum life	Fixture is made in the USA
Instant on to full light output even in cold environments*	5 year limited warranty on lamps and fixture*
Operates from minus 40 degrees F. through plus 122 degrees F.*	Fixture and lamps are recyclable
No mercury, no lead, no glass	See reverse for additional fixture information.

ORDERING INFORMATION

<u>SERIES</u>	<u>LAMP ROWS</u>	<u>LENGTH</u>	<u>LAMP TYPE</u>	<u>OPTICS</u>	<u>MECH OPT</u>	<u>ELEC OPT</u>	<u>TYPE</u>	<u>VOLTS</u>	<u>LAMP COLOR*</u>	<u>LAMP LENS*</u>
WCP200	2	4'	LR = UL listed	PA	X = none	X = none	LED81	UNV	3500k	CL = clear
		8'		FWA	DL = damp loc.	TS2 = maint. switch			4100k	FR = frost
				HL	WL = wet loc.				5500k	
				DRPA	TP = tamper resist.					
				see reverse for info.						

NOTES

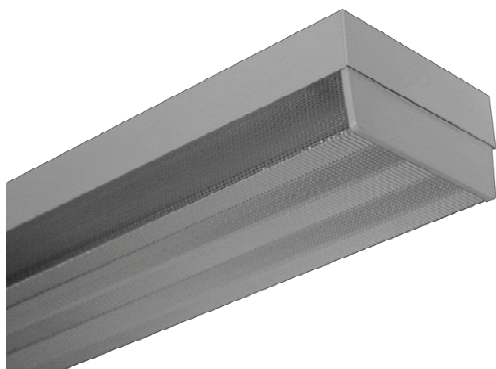
***Other options are available. Contact Hudnut LED Lighting Solutions for additional information
Product may differ slightly from photo. All values are nominal.

*See TL-SH series lamp cut sheet for additional information. Lamps are shipped separately for field installation.

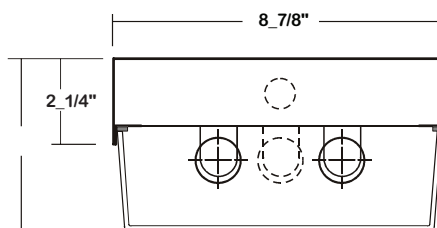
HUDNUT LED LIGHTING

11916 NE SUMNER STREET PORTLAND, OREGON 97220 503-233-8088 WWW.HUDNUT.COM INFO@HUDNUT.COM

WCP200 SERIES - LED T8

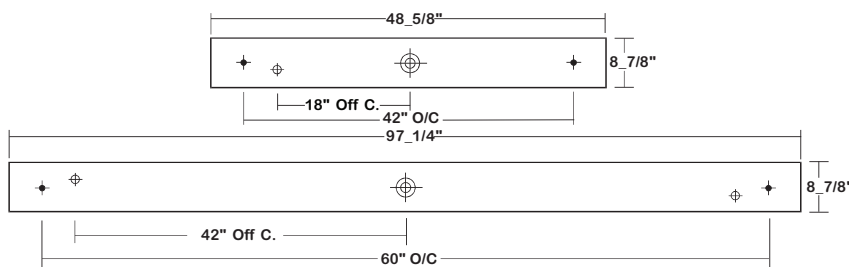


CROSS SECTION



BACK PLATE

- ◆ 11/16" STEM MTG. K.O.
- ⊕ 7/8" OFFSET K.O.
- ⊕ 2" K.O.



SAFETY SWITCH



- LED Luminaire On/Off Safety Switch
- Easily accessible on exterior of wire way.
- Allows individual fixture to be switched ON/OFF during re-lamping or Maintenance.
- Prevents damage to lamp and electrical shock during lamping and re-lamping.
- Allows safe entry to wire way channel where power connector can be disconnected for maintenance to fixture.

LAMP TYPE See HUDNUT TL-SH series LED tube lamp specifications for additional lamp information

LR = LED T8 light tube, self-driven.
Black lead and white lead connected to the same end.



OPTIONS AND ACCESSORIES

ELECTRICAL OPTIONS

- LED Luminaire ON/OFF Safety Switch
- Pull Switch
- 6' 3Wire Cord + Plug (U-Ground)

SUFFIX
TS2
PS1
CP3

OPTICAL OPTIONS

- Clear Prismatic Acrylic
- Flat White Acrylic
- Holophane® Injection Molded Lens
- High Impact Clear Prismatic Acrylic

SUFFIX
PA
FWA
HL
DRPA

MECHANICAL OPTIONS

- Damp Location
- Wet Location
- Low Density
- Tamper Proof Screws (Hex Socket w/ Post)
- Fixture Suspending System

SUFFIX
DL
WL
LD
TP
*

*See Appropriate Reference Page

SPECIFICATIONS

- TYPE
- CONSTRUCTION
- OPTICS
- FINISH
- WIRING
- LABELS

Surface mounted wrap around square housing for LED T8 light tube (s)** with internal driver. Finger actuated, spring-loaded stamped steel hinge & latch catch located on each lens end plate. Opens from either side for easy relamping.
22 ga. cold rolled steel welded housing.
Holophane® injection molded lens is standard. Flat white acrylic and clear prismatic acrylic lenses are available.
Baked white powder coated finish, minimum reflectance 90%, painted after fabrication.
Operates T8 LED light tube(s)**.
ETL Listed. Conforms to UL standard 1598 - SUB 8750.



HUDNUT LED LIGHTING