

LED STAIRWELL LUMINAIRE



FIXTURE TYPE _____

JOB NAME _____

REP **HUDNUT LED LIGHTING**

PART NUMBER _____

SPECIFICATIONS

Full fixture replacement with linear LED lamps*	High 80+ CRI white LEDs*
120—277 volt AC operation	>50,000 hour lamp life to 70% original output*
No external ballasts or drivers = lower maintenance**	Lamp is UL listed 120-277VAC*
Standard G13 bi-pin sockets for easy lamp maintenance	Fixture is ETL listed
Lamp powered from one end only to meet UL safety requirements*	and conforms to UL 1958-SUB 8750
Dedicated LED fixture ensures proper operation and maximum life	Fixture is made in the USA
Instant on to full light output even in cold environments*	5 year limited warranty on lamps, fixture, and Bodine inverter back-up module*
Operates from minus 40 degrees F. through plus 122 degrees F.*	Fixture and lamps are recyclable
No mercury, no lead, no glass	See reverse for additional fixture information.
Bodine emergency back-up module option	

ORDERING INFORMATION

SERIES	LAMP ROWS	LENGTH	LAMP TYPE	REFLECTOR	MECH OPT	ELEC OPT	TYPE	VOLTS	LAMP COLOR*	LAMP LENS*
LCD1141	2	4'	LR = UL listed	WR	GSKN	X = none	LED81	UNV	3500K	CL = clear
					TP	TS2 = maint. switch			3500KLW	FR = frost
						MS4A = motion sensor			4100K	
						EM = Bodine BS20 inverter module - see inverter LCD1160 spec for info			4100KLW	
									5500K	
									5500KLW	

see reverse for additional information

NOTES

***Other options are available. Contact Hudnut LED Lighting Solutions for additional information
Product may differ slightly from photo. All values are nominal.

**EM Bodine inverter module option is external for ease of installation and maintenance.

*See TL-SH series lamp cut sheet for additional information. Lamps are shipped separately for field installation.

HUDNUT LED LIGHTING

11916 NE SUMNER STREET PORTLAND, OREGON 97220 503-233-8088 WWW.HUDNUT.COM INFO@HUDNUT.COM

ITEM #	LCD1141	DESCRIPTION	4' 2-Lamp LED T8 Stairwell Luminaire	DATE	01-17-2011
JOB NAME *		DESIGNED FOR		APPROVED BY	

1. TYPE : 4' 2-lamp LED T8 stairwell luminaire.
2. CONSTRUCTION : 22ga. cold rolled steel welded housing.
3. FINISH : Baked white powder coated finish, paint after fabrication.
4. REFLECTOR : WR - .020 white aluminum reflector, 90% reflectance.
5. OPTICS : 4' snap-on radial clear acrylic ribbed lens.
6. GASKET : GSKN - Die-formed end neoprene gasket.
7. SENSOR : MS4A - Ultrasonic motion sensor. (WattStopper FS-505)
8. LAMP : Two TL-SH series LED T8 light tubes per fixture. LW - Top lamp (always on) will be 1/2 wattage.
9. WIRING : Top lamp constantly on, bottom lamp controlled by the motion sensor.
10. LABELS : ETL listed.
11. OPTIONS : TP - Lens retainers and tamper proof screws. (Hex socket with post)
TS2 -LED Luminaire On/ Off Safety Switch
EM - Bodine back-up inverter module- see inverter LCD1160 specs for more info.

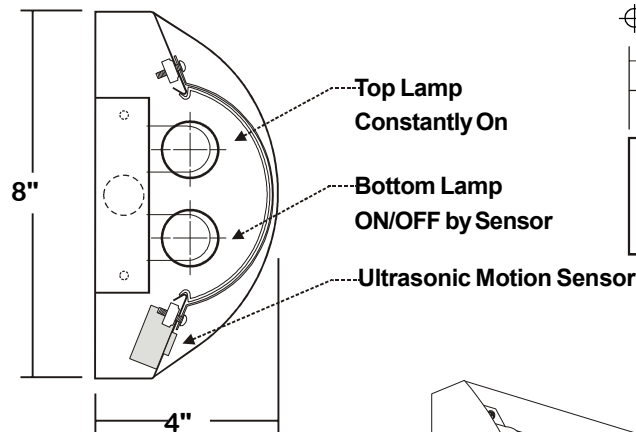
12. CATALOG NUMBER:

LCD1141-2-4LR-WR-GSKN-TP-MS4A-LED8I-UNV-4100K-CL
LCD1141-2-4LR-WR-GSKN-TP-MS4A-EM-LED8I-UNV-4100K-LW-CL

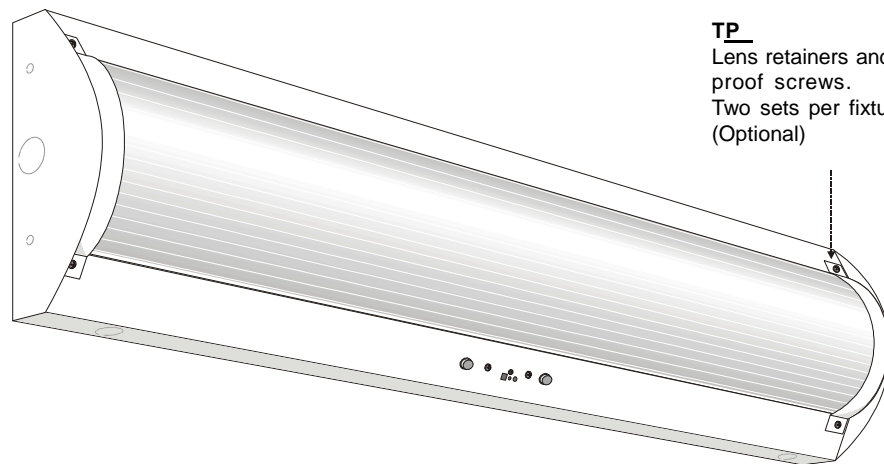
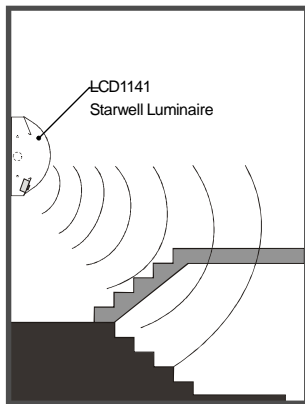
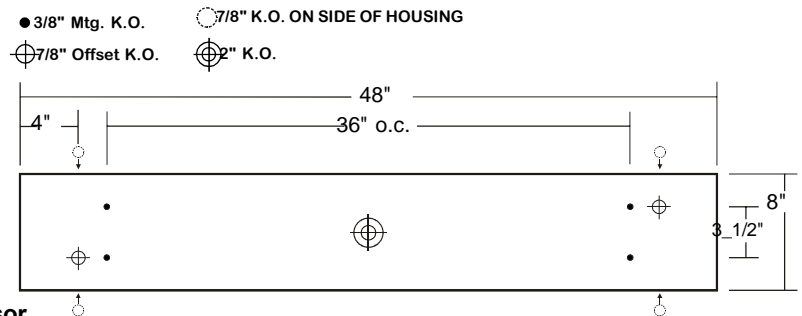


MADE IN THE U.S.A.

CROSS SECTION



BACK PLATE



TP
Lens retainers and tamper proof screws.
Two sets per fixture.
(Optional)

HUDNUT LED LIGHTING