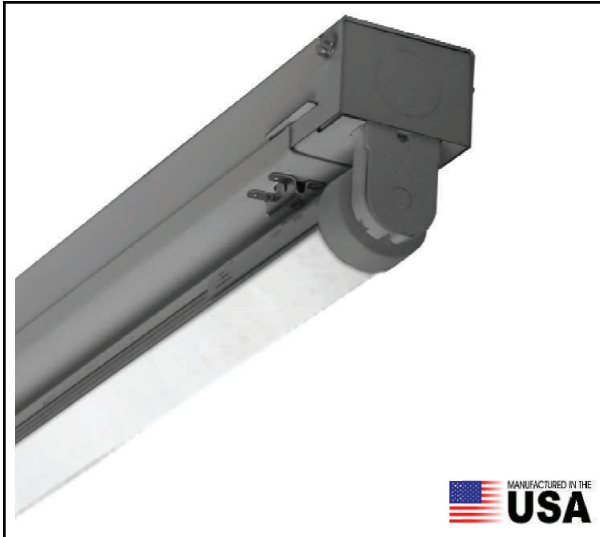


LED SINGLE LAMP STRIP



FIXTURE TYPE _____
JOB NAME _____
REP **HUDNUT LED LIGHTING**
PART NUMBER _____

SPECIFICATIONS

Full fixture replacement with linear LED lamps*	High 80+ CRI white LEDs*
120—277 volt AC operation	>50,000 hour lamp life to 70% original output*
No external ballasts, drivers, or power supplies = lower maintenance	Lamp is UL listed 120-277VAC*
Standard G13 bi-pin sockets for easy lamp maintenance	Fixture is ETL listed
Lamp powered from one end only to meet UL safety requirements*	and conforms to UL 1958-SUB 8750
Dedicated LED fixture ensures proper operation and maximum life	Fixture is made in the USA
Instant on to full light output even in cold environments*	2 year limited warranty on fixture
Operates from minus 40 degrees F. through plus 122 degrees F.*	5 year limited warranty on lamps*
No mercury, no lead, no glass	Fixture and lamps are recyclable
	See reverse for additional fixture information.

ORDERING INFORMATION

<u>SERIES</u>	<u>LAMP ROWS</u>	<u>LENGTH</u>	<u>LAMP TYPE</u>	<u>MECH OPT</u>	<u>ELEC OPT</u>	<u>TYPE</u>	<u>VOLTS</u>	<u>LAMP COLOR*</u>	<u>LAMP LENS*</u>		
MXSTR100	1	2'	LR = UL listed	X = none	X = none	LED81	UNV	3500k	CL = clear		
		3'						DL = damp loc.	TS2 = maint. switch	4100k	FR = frost
		4'								5500k	
		6'									
		8'									

NOTES

*****Other options are available. Contact Hudnut LED Lighting Solutions for additional information**
Product may differ slightly from photo. All values are nominal.

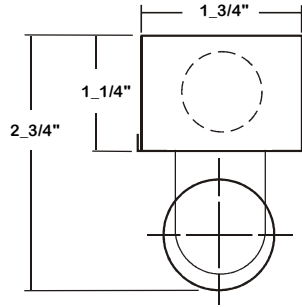
***See TL-SH series lamp cut sheet for additional information. Lamps are shipped separately for field installation.**

HUDNUT LED LIGHTING

11916 NE SUMNER STREET PORTLAND, OREGON 97220 503-233-8088 WWW.HUDNUT.COM INFO@HUDNUT.COM

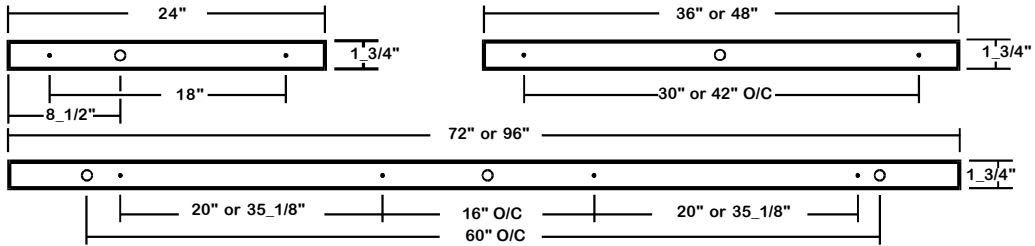
MXSTR100 SERIES - LED T8

CROSS SECTION



BACK PLATE

- 3/16" MTG. HOLE
- 7/8" K.O.



SAFETY SWITCH

___ HG8- LED Luminaire On/Off Safety Switch

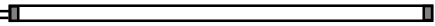


- Easily accessible on exterior of wire way.
- Allows individual fixture to be switched ON/OFF during re-lamping or Maintenance.
- Prevents damage to lamp and electrical shock during lamping and re-lamping.
- Allows safe entry to wire way channel where power connector can be disconnected for maintenance to fixture.

LAMP TYPE

LR = LED T8 light tube, self-driven.
Black lead and white lead connected to the same end.

Hot A.C. Line Black
Common White



OPTIONS AND ACCESSORIES

● ELECTRICAL OPTIONS

SUFFIX
TS2
PS1
CP3

● MECHANICAL OPTIONS

Damp Location

SUFFIX
DL

SPECIFICATIONS

- **TYPE**
- **CONSTRUCTION**
- **FINISH**
- **WIRING**
- **LABELS**

Miniature open lamp one-light channel for LED T8 light tube(s)** with internal driver.

22 ga. cold rolled steel housing. (20 ga. housing available as specified.) End plates are fastened to housing by sheet metal screws to assure rigidity. End plates fold down to become channel couplings.

Baked white polyester finish, minimum reflectance 86%. (Powder coated finish available.)

Operates T8 LED light tube(s)**.

ETL Listed. Conforms to UL standard 1598 - SUB 8750.



** Lamp(s) by others.