

INVERTER MODULE



FIXTURE TYPE _____

JOB NAME _____

REP

HUDNUT LED LIGHTING

PART NUMBER _____

SPECIFICATIONS

Micro inverter module back-up system in enclosure

120 or 277 volt AC operation (specify)

UL listed

Provides a minimum 90 minutes of illumination

20w maximum load

24 hour recharge time

Rated for use from 32 degrees F. through 122 degrees F.

Bodine brand micro inverter for superior performance and reliability

Full 5 year warranty

See reverse for additional fixture information.

ORDERING INFORMATION

120VAC INPUT / PUTPUT = LCD1160-INVERTER BOX-ELIS20-120V

277VAC INPUT / OUTPUT = LCD1160-INVERTER BOX-ELIS20-277V

NOTES

***Other options are available. Contact Hudnut LED Lighting Solutions for additional information
Product may differ slightly from photo. All values are nominal.

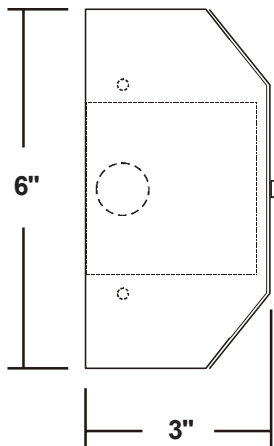
HUDNUT LED LIGHTING

11916 NE SUMNER STREET PORTLAND, OREGON 97220 503-233-8088 WWW.HUDNUT.COM INFO@HUDNUT.COM

ITEM # LCD1160	DESCRIPTION External Inverter Box	DATE 3-7-2011
JOB NAME *	DESIGNED FOR *	APPROVED BY

1. TYPE : External mounting box with Philips Bodine© Emergency Lighting Micro Inverter.
2. CONSTRUCTION : 20ga. cold rolled steel welded housing. Cover secured by two captive screws.
3. FINISH : Powder coated finish, paint after fabrication.
4. INVERTER : ELIS20 - Philips Bodine© ELI-S-20 20w Emergency Lighting Micro Inverter
5. CATALOG NUMBER:
LCD1160-INVERTER BOX-ELIS20

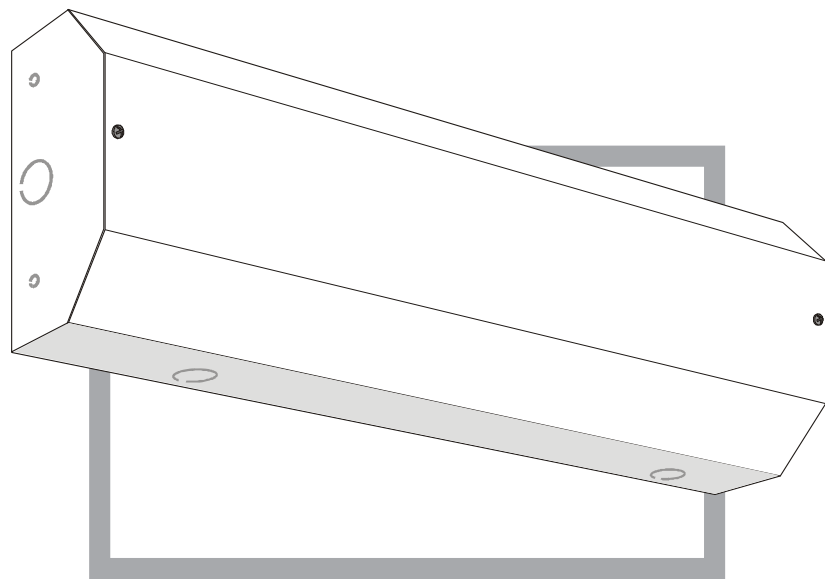
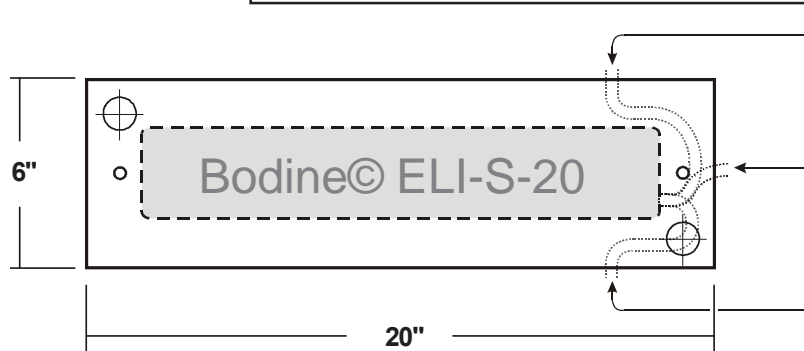
CROSS SECTION



BACK PLATE

- o 3/8" Mtg. Hole
- ⊕ 7/8" K.O.

Flexible conduit inside the inverter box, to be pulled through K.O. on the end, top or bottom of the box. Field installed. (by others)



PUBLIC\2\DATA_LCD\LCD1160.PMD

HUDNUT LED LIGHTING

ELI™ SERIES BACKUP MICRO INVERTER

ELI-S-20 20 W Emergency Lighting Inverter Sinusoidal

PHILIPS bodine

A Division Of Philips Electronics North America Corporation

**120 or 277 VAC, 60Hz;
Auto select (120/277 VAC) sine wave output, 60Hz;
90-minute runtime**

Product Summary

UL Listed

Factory or Field Installation
(Indoor and Damp)



Illumination Time

90 Minutes

Maximum Load Power

20 W (Including AC ballast/driver)

Full Warranty

5 years (NOT pro-rata)

AC Input Voltage

120 or 277 VAC, 60 Hz

AC Input Current

90 mA

AC Input Power Rating

9.5 W

Output Voltage

120/277 VAC (Auto Select), 60Hz

Output Current

120 V, 165 mA
277 V, 72 mA

Test Switch

Single Pole (Momentary)

Battery

High-Temperature, Maintenance-Free Nickel-Cadmium
Battery, 7- to 10-year life expectancy

Battery Charging Current

250 mA

Recharge Time

24 Hours

Charging Indicator Light

LED

Temperature Rating (Ambient)

32° F to 122° F
(0° C to 50° C)

Dimensions

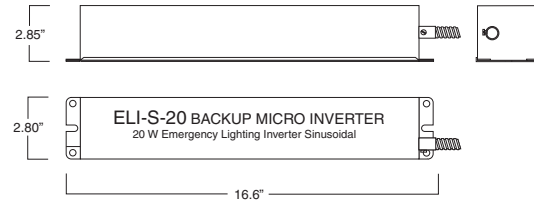
16.6" x 2.8" x 2.85"
(422 mm x 71 mm x 73 mm)
Mounting Center
16.05" (408mm)

Weight

5 lbs. (2.3 kg)

Special Features

Fused Output Load Connections



APPLICATION

The Philips Bodine ELI-S-20 Emergency Lighting Micro Inverter works in conjunction with a fluorescent or LED fixture to create an emergency lighting system. The ELI-S-20 operates a maximum load of 20 W at unity power factor. It allows the connected fixture(s) to be on, off, switched or dimmed without affecting emergency operation. Each unit consists of a high-temperature nickel-cadmium battery, charger and electronic circuitry in one steel case. The ELI-S-20 provides power to the input side of the fixture, including the ballast, and can be used with indoor or outdoor emergency fixture applications.

OPERATION

Upon failure of normal power, the ELI-S-20 instantly begins providing emergency power to the connected lighting load for a minimum of 90 minutes. A solid-state low voltage disconnect circuit protects the inverter battery from severe damage by deep discharge during prolonged power failures. When normal power is restored, the ELI-S-20 automatically returns to charge mode. The battery capacity is fully restored in 24 hours.

INSTALLATION

The ELI-S-20 does not affect normal fixture operation and may be used with a switched or unswitched fixture. It can be installed in close proximity to the fixture or remote from the fixture (up to 250 feet).

UL AND CODE COMPLIANCE

The ELI-S-20 has been tested by Underwriters Laboratories in accordance with the standards set forth in UL 924, "Emergency Lighting and Power Equipment," and is UL Listed for factory or field installation. Emergency illumination exceeds the National Electrical Code (NEC) and Life Safety Code (NFPA-LSC) and UL 90-minute requirements.

Specifiers Reference

Project _____ Type _____ Model No. _____

Comments _____

L2500003

11/15/10 © Philips Emergency Lighting
P.O. Box 460 Collierville, TN USA 38027-0460
Sales 800-223-5728 FAX 901-853-5009
Tech. Support 888-263-4638
www.philips.com/bodine

ELI™ SERIES BACKUP MICRO INVERTER

ELI-S-20 20 W Emergency Lighting Inverter Sinusoidal

EMERGENCY ILLUMINATION

The ELI-S-20 supports emergency illumination for a minimum of 90 minutes. At a maximum of 20 W at unity power factor the ELI-S-20 will provide input power to ballasted lamp supporting it at 100% of the AC rated output throughout the 90-minute emergency illumination period.

SPECIFICATION

Emergency lighting shall be provided by using a standard fixture equipped with a Philips Bodine ELI-S-20. Each unit consists of a high-temperature, maintenance free nickel-cadmium battery, charger and electronic circuitry contained in one 16.6" x 2.8" x 2.85" metal case. Solid-state indicator lights signal operational status. The ELI-S-20 unit shall be capable of powering any fluorescent or LED lighting fixture rated at a maximum of 20 W (at unity power factor) for a minimum 90 minutes regardless of local switch position. The ELI-S-20 shall allow the connected fixture(s) to be on, off, switched or dimmed without affecting emergency operation. The ELI-S-20 unit shall exceed emergency standards set forth by the current NEC. It shall be UL Listed, suitable for damp locations and warranted for a full five years from date of purchase.

WARRANTY

The ELI-S-20 is warranted for five (5) years from the date of purchase. This warranty covers only properly installed Philips Bodine emergency ELI-S-20s used under normal conditions. For the warranty period, Philips Emergency Lighting will, at its option, repair or replace without charge a defective inverter, provided it is returned to the factory transportation prepaid and our inspection determines it to be defective under terms of the warranty. Repair or replacement, as stated above, shall constitute the purchaser's exclusive warranty, which does not extend to transportation, installation, labor or any other charges; nor does it apply to any equipment of another manufacturer used in conjunction with the inverter.

L2500003

11/15/10 © Philips Emergency Lighting
P.O. Box 460 Collierville, TN USA 38027-0460
Sales 800-223-5728 FAX 901-853-5009
Tech. Support 888-263-4638
www.philips.com/bodine

For the most current technical information and notices, please visit TechNotes on our website.