

LED HEAVY DUTY WRAP



FIXTURE TYPE _____

JOB NAME _____

REP **HUDNUT LED LIGHTING**

PART NUMBER _____

SPECIFICATIONS

Full fixture replacement with linear LED lamps*	High 80+ CRI white LEDs*
120—277 volt AC operation	>50,000 hour lamp life to 70% original output*
No external ballasts, drivers, or power supplies = lower maintenance	Lamp is UL listed 120-277VAC*
Standard G13 bi-pin sockets for easy lamp maintenance	Fixture is ETL listed
Lamp powered from one end only to meet UL safety requirements*	and conforms to UL 1958-SUB 8750
Dedicated LED fixture ensures proper operation and maximum life	Fixture is made in the USA
Instant on to full light output even in cold environments*	5 year limited warranty on lamps and fixture*
Operates from minus 40 degrees F. through plus 122 degrees F.*	Fixture and lamps are recyclable
No mercury, no lead, no glass	See reverse for additional fixture information.

ORDERING INFORMATION

<u>SERIES</u>	<u>LAMP ROWS</u>	<u>LENGTH</u>	<u>LAMP TYPE</u>	<u>OPTICS</u>	<u>MECH OPT</u>	<u>ELEC OPT</u>	<u>TYPE</u>	<u>VOLTS</u>	<u>LAMP COLOR*</u>	<u>LAMP LENS*</u>
WSE200	1	4'	LR = UL listed	DRLP	X = none	X = none	LED81	UNV	3500k	CL = clear
	2	8'			DL = damp loc.	TS2 = maint. switch			4100k	FR = frost
					TP = tamper proof				5500k	

NOTES

***Other options are available. Contact Hudnut LED Lighting Solutions for additional information
Product may differ slightly from photo. All values are nominal.

*See TL-SH series lamp cut sheet for additional information. Lamps are shipped separately for field installation.

HUDNUT LED LIGHTING

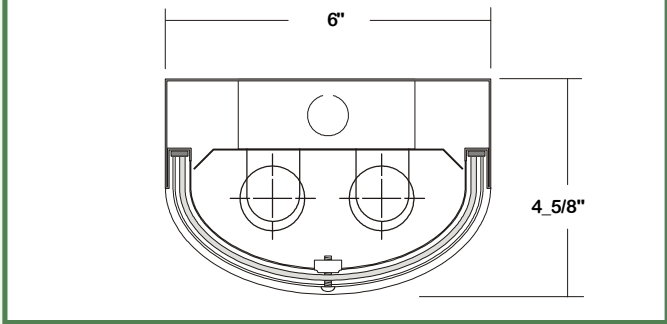
11916 NE SUMNER STREET PORTLAND, OREGON 97220 503-233-8088 WWW.HUDNUT.COM INFO@HUDNUT.COM

WSE200 SERIES - LED T8



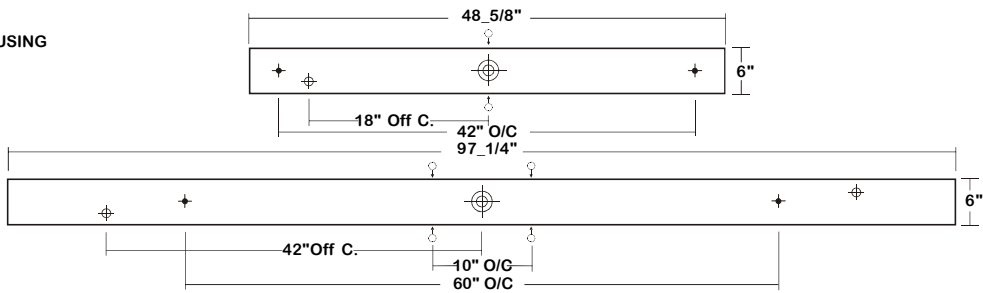
Side KO's for 1/2" Conduit

CROSS SECTION



BACK PLATE

- 7/8" K.O. ON SIDE OF HOUSING FOR 1/2" CONDUIT
- ◆ 11/16" STEM MTG. K.O.
- ⊕ 7/8" OFFSET K.O.
- ⊕ 2" K.O.



SAFETY SWITCH

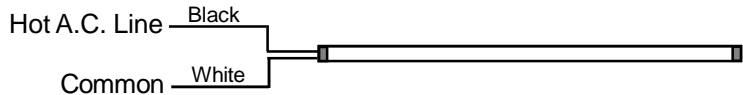


- TS2 - LED Luminaire On/Off Safety Switch**
- Easily accessible on exterior of wire way.
 - Allows individual fixture to be switched ON/OFF during re-lamping or Maintenance.
 - Prevents damage to lamp and electrical shock during lamping and re-lamping.
 - Allows safe entry to wire way channel where power connector can be disconnected for maintenance to fixture.

LAMP TYPE

See HUDNUT TL-SH series LED T8 lamp specifications for additional lamp information.
All 6' fixtures use 2ea 3' lamps per lamp row. All 8' fixtures use 2ea 4' lamps per row.

LR = LED T8 light tube, self-driven.
Black lead and white lead connected to the same end.



OPTIONS AND ACCESSORIES

ELECTRICAL OPTIONS	SUFFIX	OPTICAL OPTIONS	SUFFIX	MECHANICAL OPTIONS	SUFFIX
LED Luminaire ON/OFF Safety Switch	TS2	High Impact Linear Pattern	DRLP	Tamper Proof Screws (Hex Socket w/ Post)	TP
Pull Switch	PS1	Clear Acrylic		Phillips Head Screw	PH
6' 3Wire Cord + Plug (U-Ground)	CP3			Damp Location	DL
				Low Density	LD
				Fixture Suspending System	*

*See Appropriate Reference Page

SPECIFICATIONS

- TYPE
- CONSTRUCTION
- OPTICS
- FINISH
- WIRING
- LABELS

1, 2 or 3 lamps parking structure luminaire for LED T8 light tube (s)** with internal driver.
22 ga. die formed cold rolled steel housing with 18ga. end plates, spot welded seams and corners.
25% DR high impact linear pattern clear acrylic lens, neoprene gasketed. Lens secured by steel lens-retainers and 2 knurled head thumb screws. Phillips head screws and tamper proof screws available.
Baked white powder coated finish, minimum reflectance 90%, painted after fabrication.
Operates T8 LED light tube(s)**.
ETL Listed. Conforms to UL standard 1598 - SUB 8750.

** Lamp(s) by others.



HUDNUT LED LIGHTING