



Instruction Manual for enLux DL5/DL6 Series Down Light into a Recess Can

Important

When using electrical equipment, safety precautions should always be observed.

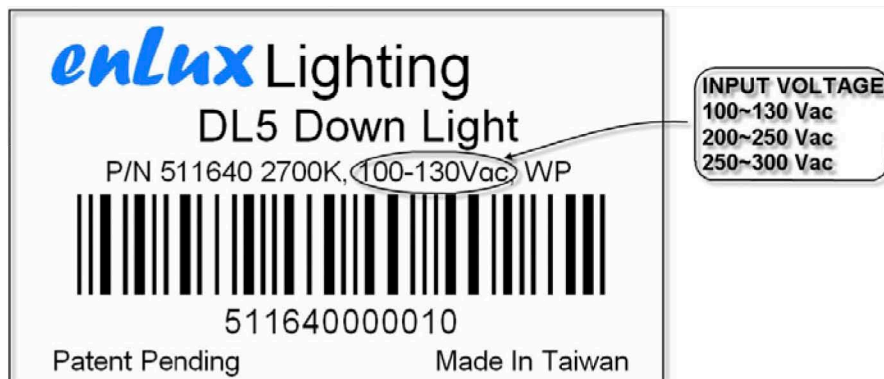
1. READ and FOLLOW ALL SAFETY INSTRUCTIONS
2. Ensure there are no hot or live electrical surfaces

Installation

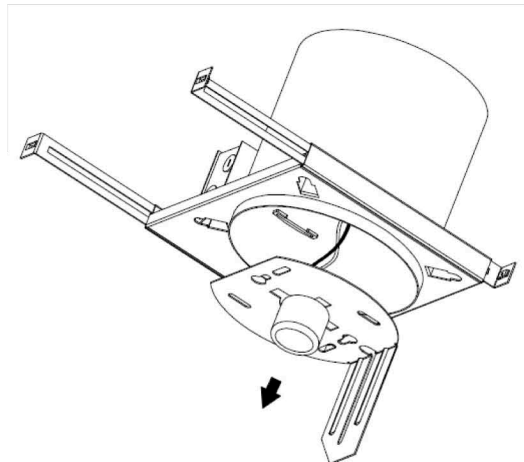
Step 1 Turn off or disconnect the electrical power to the recess can fixture.

Step 2 Confirm the Product's input voltage matches or is compatible with the line voltage. Check the voltage rating on the Product Bar Code label. The Product only accepts 1 Φ (single phase) electricity.

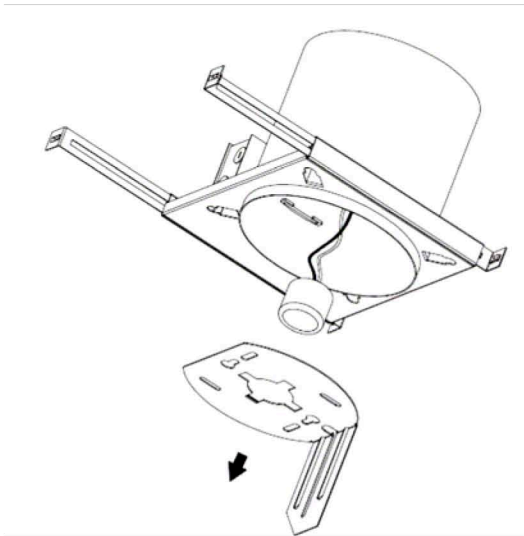
enLux Lighting is not responsible or liable for incorrect power connection.



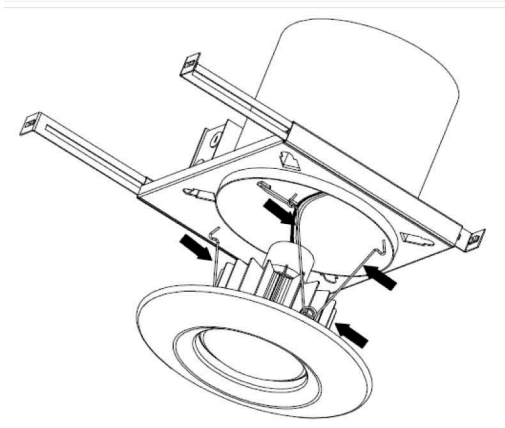
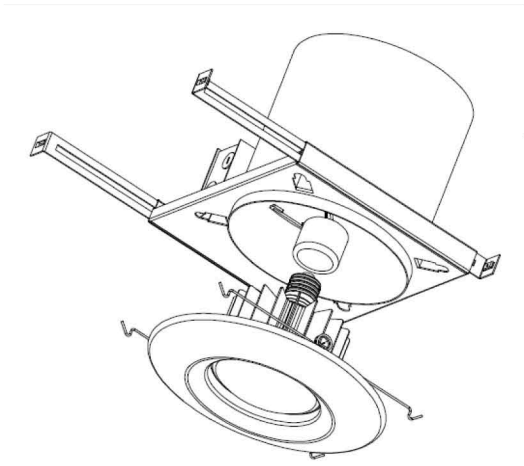
Step 3 Disassemble the socket bracket from the recess can.



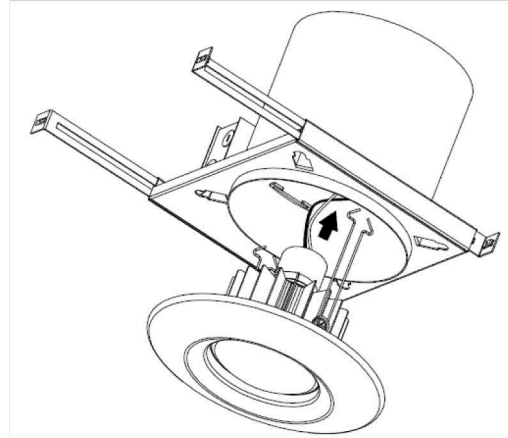
Step 4 Remove the E26/E27 socket from the bracket.



Step 5 Screw and connect the down light to the E26/E27 socket.



Step 6 Snap and secure both torsion springs to the torsion spring retainers located on the inside wall of the recess can.



Step 7 Push the down light up to against the ceiling.

Step 8 The Product is installed and is ready to be operated.