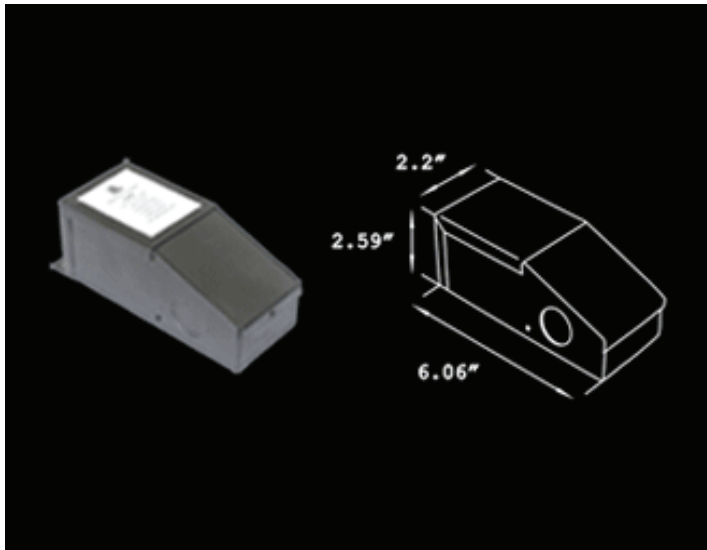


LED DIMMABLE POWER SUPPLY



PENDING



FIXTURE TYPE _____

JOB NAME _____

REP HUDNUT LED LIGHTING

PART NUMBER _____

SPECIFICATIONS

Robust magnetic transformer for superior reliability

SIZE = 2.2" x 2.59" x 6.06"

Removable cover for wiring compartment is secured by a screw

Thermal circuit breaker with manual reset

Transformer is encapsulated in the enclosure

Efficiency 91.20%

ETL listed

Allows compatible LED lighting to be dimmed with magnetic low voltage dimmers.

Class B 130C transformer

Enclosure has 2 knockouts for 3/4" screw cable connectors

5 year manufacturer warranty

Minimum load 50%

Rated for continuous use at max load rating

ORDERING INFORMATION

<u>SERIES</u>	<u>VOLTS IN</u>	<u>VOLTS OUT</u>	<u>AC / DC</u>	<u>MAX LOAD</u>	<u>DIMMABLE</u>	<u>OPTIONS</u>
XFMR-MA	120VAC	12V	AC	40W	DIM	***
	277VAC	24V	DC	50W		
				60W		
				100W		

NOTES

***Other options may be available. Contact Hudnut LED Lighting Solutions for additional information.

All values are nominal.

Product may differ slightly from photo.

HUDNUT LED LIGHTING